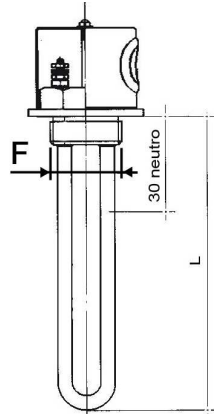


CORIMM

RISCALDATORI SU TAPPO FILETTATO TUBULAR HEATERS FOR WATER / OIL RESISTANCES BLINDES POUR EAU / HUILE

MODELLO CIL1
MODEL CIL1
MODELE CIL1

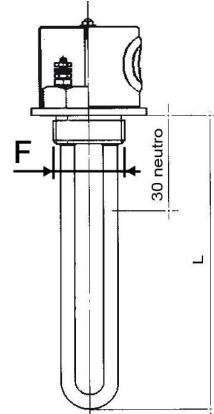
F. 1"
1 x DIA.8 – AISI 321



OLIO – OIL – HUILE 2W/cm ²			ACQUA – WATER – EAU 7W/cm ²		
CODICE	L	WATT	CODICE	L	WATT
CIL12360	360	300	CIL17160	160	500
CIL12460	460	400	CIL17220	220	670
CIL12560	560	500	CIL17300	300	1000
CIL12660	660	600	CIL17380	380	1330
CIL12760	760	700	CIL17440	440	1500
CIL12900	900	850	CIL17500	500	1670
CIL121050	1050	1000	CIL17590	590	2000
CIL121300	1300	1250	CIL17730	730	2500
CIL121550	1550	1500	CIL17870	870	3000
			CIL171000	1000	3500
			CIL171200	1200	4000

MODELLO CIL1
MODEL CIL1
MODELE CIL1

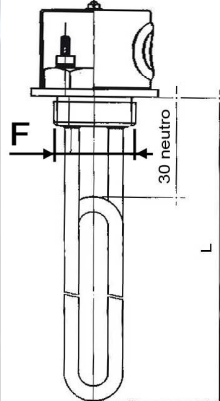
F. 1"
1 x DIA.10 – AISI 321



OLIO – OIL – HUILE 2W/cm ²			ACQUA – WATER – EAU 7W/cm ²		
CODICE	L	WATT	CODICE	L	WATT
CIL12330	330	330	CIL17215	215	670
CIL12385	385	400	CIL17255	255	830
CIL12460	460	500	CIL17295	295	1000
CIL12590	590	670	CIL17335	335	1170
CIL12720	720	830	CIL17365	365	1330
CIL12860	860	1000	CIL17450	450	1670
CIL12990	990	1170	CIL17515	515	2000
CIL121370	1370	1670	CIL17675	675	2670
			CIL17825	825	3330
			CIL17975	975	4000

MODELLO CIA1
MODEL CIA1
MODELE CIA1

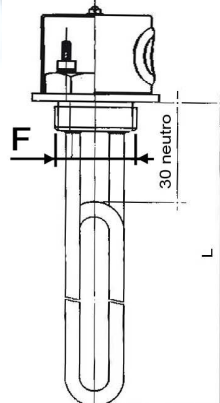
F. 1 1/4"
1 x DIA.8 RITORTO
1 x DIA.8 TWISTED
1 x DIA.8 TORDU
AIS I 321



OLIO – OIL – HUILE 2W/cm ²			ACQUA – WATER – EAU 7W/cm ²		
CODICE	L	WATT	CODICE	L	WATT
CIA12210	210	300	CIA17180	180	1000
CIA12260	260	400	CIA17220	220	1330
CIA12310	310	500	CIA17250	250	1500
CIA12360	360	600	CIA17280	280	1670
CIA12410	410	700	CIA17325	325	2000
CIA12480	480	850	CIA17395	395	2500
CIA12555	555	1000	CIA17465	465	3000
CIA12680	680	1250	CIA17530	530	3500
CIA12805	805	1500	CIA17630	630	4000

MODELLO CIA1
MODEL CIA1
MODELE CIA1

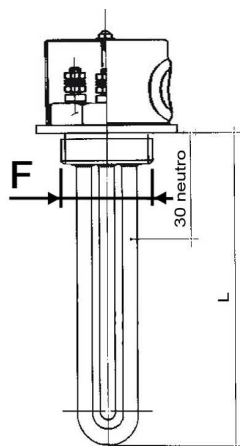
F. 1 1/4"
1 x DIA.10 RITORTO
1 x DIA.10 TWISTED
1 x DIA.10 TORDU
AIS I 321



OLIO – OIL – HUILE 2W/cm ²			ACQUA – WATER – EAU 7W/cm ²		
CODICE	L	WATT	CODICE	L	WATT
CIA12190	190	330	CIA17135	135	670
CIA12215	215	400	CIA17150	150	830
CIA12260	260	500	CIA17170	170	1000
CIA12320	320	670	CIA17190	190	1170
CIA12390	390	830	CIA17210	210	1330
CIA12450	450	1000	CIA17245	245	1670
CIA12520	520	1170	CIA17280	280	2000
CIA12720	720	1670	CIA17360	360	2670
			CIA17435	435	3330
			CIA17510	510	4000

MODELLO CIL3
 MODEL CIL3
 MODELE CIL3

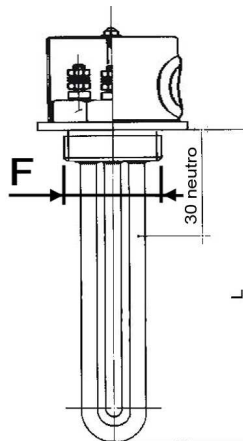
F. 1 1/4"
 1 x DIA.8 – AISI 321



OLIO – OIL – HUILE 2W/cm ²			ACQUA – WATER – EAU 7W/cm ²		
CODICE	L	WATT	CODICE	L	WATT
CIL32360	360	900	CIL37160	160	1500
CIL32560	560	1500	CIL37220	220	2000
CIL32760	760	2100	CIL37300	300	3000
CIL32900	900	2500	CIL37380	380	4000
CIL321050	1050	3000	CIL37440	440	4500
			CIL37500	500	5000
			CIL37590	590	6000
			CIL37750	750	7500
			CIL37870	870	9000
			CIL371000	1000	10500
			CIL371200	1200	12000

MODELLO CIL3
 MODEL CIL3
 MODELE CIL3

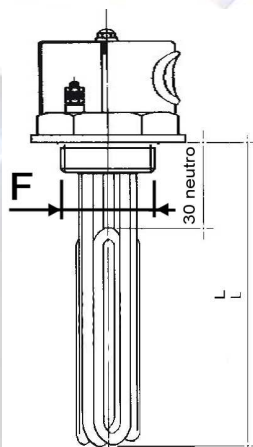
F. 2"
 1 x DIA.10 – AISI 321



OLIO – OIL – HUILE 2W/cm ²			ACQUA – WATER – EAU 7W/cm ²		
CODICE	L	WATT	CODICE	L	WATT
CIL32330	330	1000	CIL37210	210	2000
CIL32385	385	1200	CIL37250	250	2500
CIL32460	460	1500	CIL37290	290	3000
CIL32590	590	2000	CIL37330	330	3500
CIL32720	720	2500	CIL37360	360	4000
CIL32860	860	3000	CIL37445	445	5000
CIL32990	990	3500	CIL37510	510	6000
			CIL37670	670	8000
			CIL37820	820	10000
			CIL37970	970	12000

MODELLO CIA3
 MODEL CIA3
 MODELE CIA3

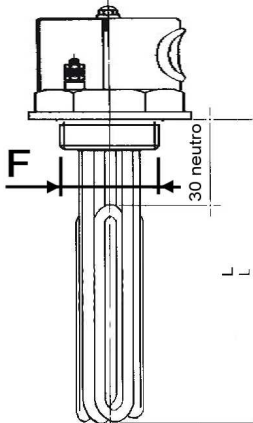
F. 2"
 3 x DIA.8 – AISI 321



OLIO – OIL – HUILE 2W/cm ²			ACQUA – WATER – EAU 7W/cm ²		
CODICE	L	WATT	CODICE	L	WATT
CIA32330	330	1000	CIA37210	210	2000
CIA32385	385	1200	CIA37250	250	2500
CIA32460	460	1500	CIA37290	290	3000
CIA32590	590	2000	CIA37330	330	3500
CIA32720	720	2500	CIA37360	360	4000
CIA32860	860	3000	CIA37445	445	5000
CIA32990	990	3500	CIA37510	510	6000
			CIA37670	670	8000
			CIA37820	820	10000
			CIA37970	970	12000

MODELLO CIA3
 MODEL CIA3
 MODELE CIA3

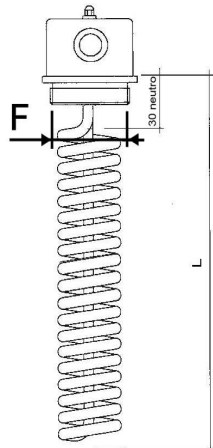
F. 2 1/2"
 3 x DIA.10 – AISI 321



OLIO – OIL – HUILE 2W/cm ²			ACQUA – WATER – EAU 7W/cm ²		
CODICE	L	WATT	CODICE	L	WATT
CIA32190	190	1000	CIA37135	135	2000
CIA32215	215	1200	CIA37150	150	2500
CIA32260	260	1500	CIA37170	170	3000
CIA32320	320	2000	CIA37190	190	3500
CIA32390	390	2500	CIA37210	210	4000
CIA32450	450	3000	CIA37245	245	5000
CIA32520	520	3500	CIA37280	280	6000
CIA32720	720	5000	CIA37360	360	8000
			CIA37435	435	10000
			CIA37510	510	12000

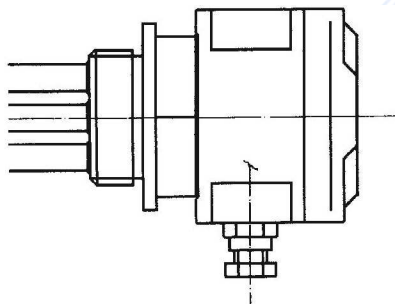
MODELLO CIS1
 MODEL CIS1
 MODELE CIS1

F. 1 1/4"
 1 x DIA.8 – AISI 321

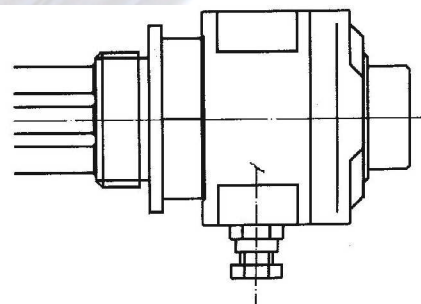


OLIO – OIL – HUILE 2W/cm ²			ACQUA – WATER – EAU 7W/cm ²		
CODICE	L	WATT	CODICE	L	WATT
CIS12150	150	300	CIS17120	120	500
CIS12165	165	400	CIS17130	130	670
CIS12195	195	500	CIS17140	140	1000
CIS12240	240	600	CIS17155	155	1330
CIS12270	270	850	CIS17180	180	1500
CIS12315	315	1000	CIS17195	195	1670
CIS12360	360	1250	CIS17210	210	2000
CIS12480	480	1500	CIS17250	250	2500
			CIS17280	280	3000
			CIS17330	330	3500
			CIS17360	360	4000

ESECUZIONI SPECIALI
SPECIAL EXECUTIONS
EXECUTIONS PARTICULIERES



TAPPO PROTEZIONE IP55
 IP55 PROTECTION CAP
 BOUCHON PROTECTION IP55



TAPPO PROTEZIONE IP55
 CON TERMOSTATO MONOFASE
 SCALA 4:40 – 30:110 – 50:300

IP55 PROTECTION CAP WITH BUILT-IN
 SINGLE PHASE THERMOSTAT
 SCALE 4:40 – 30:110 – 50:300

BOUCHON PROTECTION IP55
 AVEC SEUL THERMOSTAT
 ECHELLE 4:40 – 30:110 – 50:300

SPECIFICHE COSTRUTTIVE E TOLLERANZE
SPECIFICATIONS ET TOLERANCES
TECHNICAL DETAILS AND TOLERANCES

LUNGHEZZA – LONGEUR – LENGTH [mm]	+/- 2%
POTENZA – POWER – PUISSANCE [WATT]	+/- 10%
RESISTENZA – RESISTANCE - RESISTANCE [Ω]	+/- 10%
RIGIDITA' DIELETTRICA – RIGIDITE' DIELECTRIQUE – DIELECTRIC STRENGTH	1500 V
RESISTENZA D'ISOLAMENTO – RESISTANCE D'ISOLEMENT – INSULATION RESISTANCE	>200 MΩ/1000V
CORRENTE DI FUGA – COURANT DE FUITE – LEAKAGE CURRENT	<0.1 Ma